

# SOLID FUEL HEATING QUESTIONNAIRE

CLEAR PHOTOGRAPHS & QUESTIONNAIRE REQUIRED FOR EACH INSTALLATION (STOVES AND CHIMNEYS)

Name \_\_\_\_\_ Address \_\_\_\_\_  
Policy No. \_\_\_\_\_ Telephone No. \_\_\_\_\_  
Broker \_\_\_\_\_ # \_\_\_\_\_ Inspected By \_\_\_\_\_

## WOOD BURNING APPLIANCE

Indicate Actual Clearances On Diagram (see over)

Building appliance is installed in:  Dwelling  Garage  Workshop  Other \_\_\_\_\_  
If in dwelling, where?  Main Floor  Basement  Porch  Other \_\_\_\_\_  
Manufacturer \_\_\_\_\_ Appliance Type \_\_\_\_\_  
Model \_\_\_\_\_ Age \_\_\_\_\_ Date Installed \_\_\_\_\_

Quantity of fuel used? \_\_\_\_\_  
Is appliance certified?  Yes  No Approved for mobile home?  Yes  No  
If yes,  Canadian Standards  Underwriters Laboratories of Canada  Warnock-Hersey Ltd. (CANADA)  
 Underwriters Laboratories Institute

Indicate approved clearances (see label or installation manual)

Sides \_\_\_\_\_ inches Front Side \_\_\_\_\_ inches Top Side \_\_\_\_\_ inches  
Back Side \_\_\_\_\_ inches Corner \_\_\_\_\_ inches  
Floor Protection Sides \_\_\_\_\_ inches Front \_\_\_\_\_ inches  
Back \_\_\_\_\_ inches

Note: This section is for the manufacturer's approved clearances as indicated on the label or brochure. The "actual" clearances are to be shown on the diagram on reverse side.

## MASONRY CHIMNEY

Concrete Block  Brick  Other \_\_\_\_\_  Built from Ground  Bracket  
Chimney Lining  Clay Tile Lining  Factory Stainless Steel Liner  
 None or Other, Specify \_\_\_\_\_  
Chimney is installed  Inside Building  Outside Building  
Age and general condition of chimney \_\_\_\_\_ Date Installed: \_\_\_\_\_

## FACTORY BUILT METAL CHIMNEY

Manufacturer \_\_\_\_\_  
Certified for wood burning appliances bearing ULC-S629M label  Yes  No  
If yes  Canadian Standards Association  Underwriters Laboratories of Canada  Warnock-Hersey Ltd.  
If no, explain. \_\_\_\_\_

Age and general condition \_\_\_\_\_ Date Installed? \_\_\_\_\_  
Chimney is installed  Inside Building  Outside Building  
Clearances from chimney to combustibles \_\_\_\_\_ inches.

## INSTALLATION

Are ashes from appliance disposed of in a non-combustible container?  Yes  No If no, explain. \_\_\_\_\_

Was unit installed by a heating contractor?  Yes  No If no, complete below.  
Firm or individual \_\_\_\_\_

Was chimney installed by a heating or masonry contractor?  Yes  No If no, complete below.  
Firm or individual \_\_\_\_\_

Does unit share a chimney flue with any other appliance?  Yes  No If yes, explain. \_\_\_\_\_

Does stove pipe pass through a concealed space? (e.g. Closet, Attic, Floor, Wall)  Yes  No  
How often is chimney cleaned per heating season? \_\_\_\_\_ Date last cleaned \_\_\_\_\_  
Have any modifications been made?  Yes  No If yes, explain. \_\_\_\_\_  
Distance from stove to furniture, fuel or other combustible material \_\_\_\_\_ inches.

**COMPLETE ALL MEASUREMENTS AS PER APPLICABLE INSTALLATION ON THE DIAGRAM BELOW  
ALL DISTANCES ON DIAGRAMS ARE TO BE MEASUREMENTS TAKEN FROM THE PARTICULAR INSTALLATION**

Distance from top of stove to ceiling \_\_\_\_\_ inches

Describe construction of nearest side wall.  
\_\_\_\_\_

Distance from stove to nearest side wall \_\_\_\_\_ inches

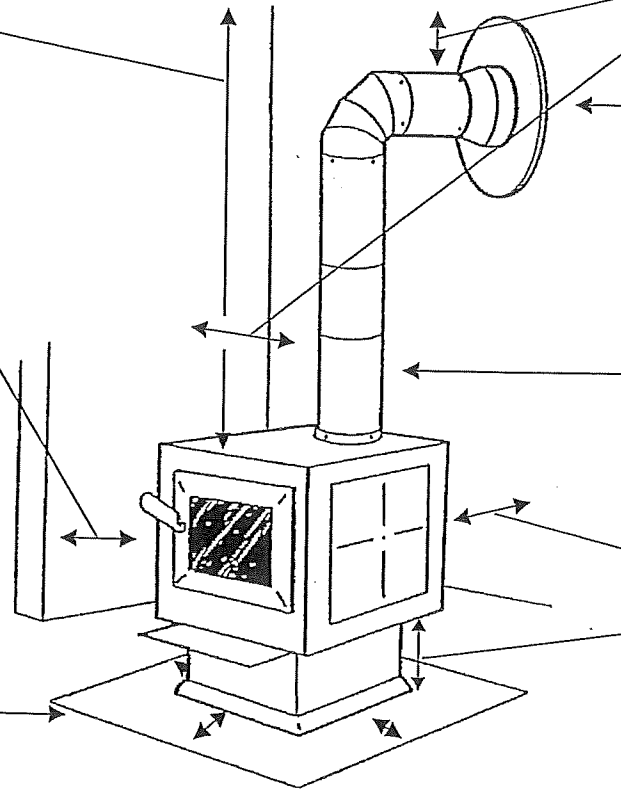
Construction of Floor.  
\_\_\_\_\_

Is there a non-combustible floor pad?  
 Yes  No

Type of floor protection.  
\_\_\_\_\_

Distance from end of floor protection to stove:  
Front \_\_\_\_\_ inches  
Side \_\_\_\_\_ inches  
Back \_\_\_\_\_ inches

**Non-Shielded Installation**



Distance from stovepipe to ceiling \_\_\_\_\_ inches  
wall \_\_\_\_\_ inches  
Is there a thimble/chimney connector where stovepipe passes through wall or ceiling?  
 Yes  No

Describe construction of ceiling.  
\_\_\_\_\_

Describe construction of back wall.  
\_\_\_\_\_

Total length of stovepipe \_\_\_\_\_ inches  
Construction of stovepipe  
 Galvanized  Black Steel  
 Single Wall  Double-lined

Distance from stove to back wall \_\_\_\_\_ inches  
Distance from bottom of stove to floor protection \_\_\_\_\_ inches

Describe construction of ceiling  
\_\_\_\_\_

Distance from the top of stove to ceiling \_\_\_\_\_ inches

Describe construction of side wall \_\_\_\_\_  
Type and thickness of shield.  
\_\_\_\_\_

Distance from wall to shield \_\_\_\_\_ inches

Distance from front of stove to front of shield \_\_\_\_\_ inches.

Distance from side of stove to wall behind shield \_\_\_\_\_ inches.

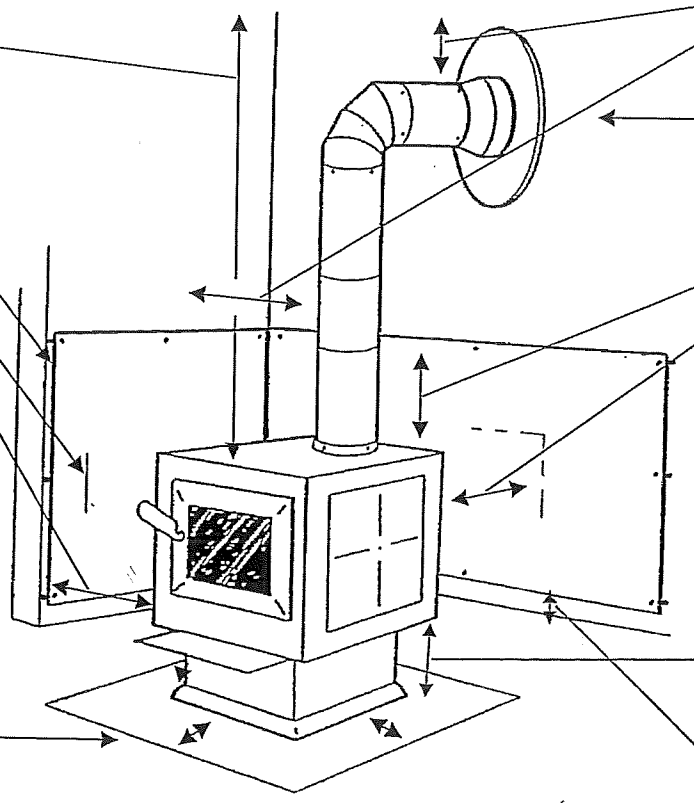
Construction of floor.  
\_\_\_\_\_

Is there a non-combustible floor pad?  
 Yes  No

Type of floor protection.  
\_\_\_\_\_

Distance from end of floor protection to stove.  
Front \_\_\_\_\_ inches  
Side \_\_\_\_\_ inches  
Back \_\_\_\_\_ inches

**Shielded Installation**



Distance from stovepipe to ceiling \_\_\_\_\_ inches  
wall \_\_\_\_\_ inches  
Is there a thimble/chimney connector where stovepipe passes through wall or ceiling?  
 Yes  No

Describe construction of back wall.  
\_\_\_\_\_

Distance from top of stove to top of shield \_\_\_\_\_ inches

Distance from back of stove to back of wall behind sd \_\_\_\_\_ inches

Construction of spacers. \_\_\_\_\_

Total length of stovepipe \_\_\_\_\_ inches

Construction of stovepipe  
 Galvanized  Black Steel  
 Single Wall  Double-lined

Distance from bottom of stove to floor protection \_\_\_\_\_ inches

Distance from heat shield to floor \_\_\_\_\_ inches

COMMENTS \_\_\_\_\_

Completed by \_\_\_\_\_

Date \_\_\_\_\_